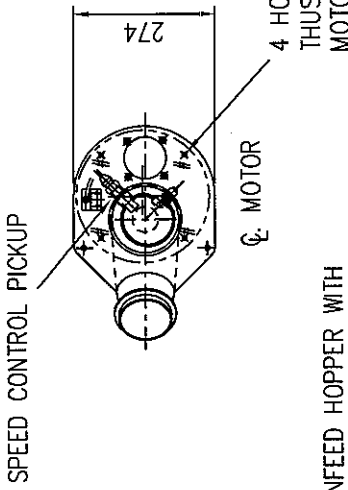
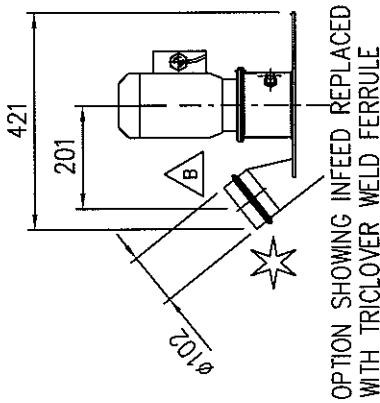
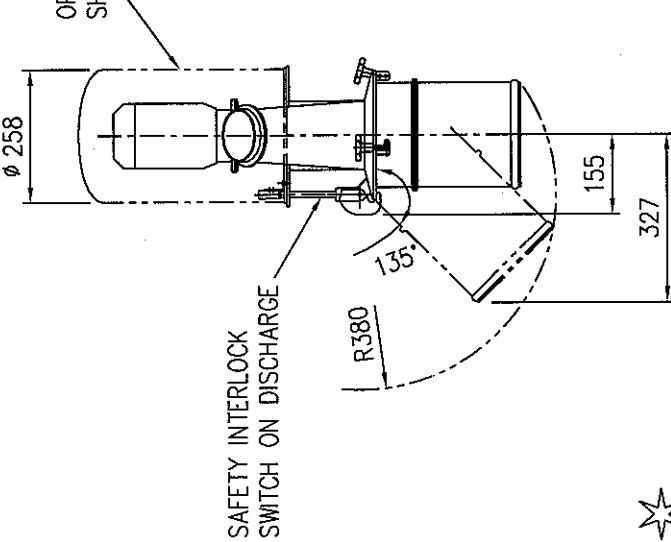


THIS DRAWING IS THE PROPERTY OF THIS COMPANY AND MUST NOT BE COPIED OR SHOWN TO A THIRD PARTY WITHOUT THE WRITTEN CONSENT OF THIS COMPANY ©

DO NOT SCALE DRAWING - IF IN DOUBT ASK

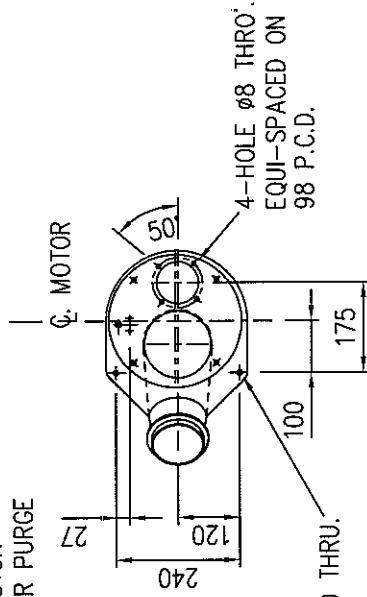


NOTE
SAFETY INTERLOCKS MUST BE WIRED INTO MOTOR CONTROL CIRCUIT (BY CLIENT) TO PREVENT THE MOTOR RUNNING, OR DE-ENERGISE MOTOR IF ALREADY RUNNING, SHOULD THE INTERLOCK BE ACTUATED BY OPENING OF THE INSPECTION DOOR OR OVERSIZE END



MOTOR IP.55 ALUM.
0.55KW 3Ph-50Hz-220/415v or
0.75HP 3Ph-60Hz-230/460v

Ø6 BULKHEAD CONNECTOR FOR AIR PURGE



2 HOLES Ø10 THRU.

BAGGING ADAPTOR WITH SAFETY GRILL

INLET CONNECTIONS MUST BE SUITABLY GUARDED BY CLIENT TO PREVENT OPERATOR ACCESS TO ROTATING/MOVING PARTS IN LINE WITH RELEVANT SAFETY REGULATIONS (SEE BS EN 294/BS5304:1988).

DRAWING SPECIFICATIONS		TOLERANCE SPECIFICATIONS		ALL DIMENSIONS IN MILLIMETRES	
Unless otherwise stated	Unless otherwise stated	Third Angle Projection	ISO	OPTION SHOWING INFEEED HOPPER/WELD FERRULE ADDED	NAME: M.R. DATE: 22/1/85
Scale: 1:10	Surface finish to BS1381 in micrometres	For all material, weld and finish specifications refer to purchase/works order unless stated otherwise	0.1-0.25	ISSUE B	BRABY-SILO
Dimensional & Geometrical Tolerances to BS2000	0.25-0.5		0.5-1.0	OPTION SHOWING INFEEED HOPPER/WELD FERRULE ADDED	FLU-BIN
Centre & True to BS2000	1.0-1.5		1.5-3.0		GARDNER
Form of sharp edges and corners	3.0-6.0		6.0-15.0		KEK
	6.0-15.0		15.0-30.0		MUCON
	30.0-60.0		60.0-120.0		TOURTEL

KEMUTEC GROUP
A member of the F.L. Smith-Fuller Engineering Group
Kemutec Group Ltd
Wedge Road, Mill Lane
Walsby, Lincolnshire, SA10 2AQ UK
Tel: (0452) 428733 Fax: (0452) 427319

DRAWN BY: **D. J. DIXON**
CHECKED: ---
APPROVED: ---

TITLE	120 CONE MILL
SCALE	1:10
ISSUE	B
ORG No	A3 DS 349
DATE	05/03/93